

CONTINUATION SHEET

PART NUMBER	S57L250S03-S		
RESISTANCE PER WINDING (KOHMS \pm 10%)	4.4		
INDUCTANCE (H REF)	TBA		
AC OPERATING VOLTAGE	220		
CAPACITANCE (μ F)	0.22		
REF SYNCHRONOUS TORQUE (oz-in)	Redüktör çıkışı 6Nm	800	
FREQUENCY (Hz)	50		
SPEED (RPM)	Redüktör çıkışı 1,25rpm	250	
REF ROTOR MOMENT OF INERTIA ($g \cdot m^2$)	23×10^{-4}		
REF DETENT TORQUE (oz-in)	3.0		
AMBIENT TEMPERATURE RANGE :			
OPERATING	-20°C TO 70°C		
STORAGE	-40°C TO 85°C		
BEARING TYPE	BRONZE BEARING		
INSULATION RESISTANCE AT 500 VDC	100 MEGOHMS		
DIELECTRIC WITHSTANDING VOLTAGE	1500 \pm 50VRMS FOR 2 SECONDS		
WEIGHT (g/oz)	870/30.6		
LEADWIRES	22 AWG, UL 1015		

TABLE 1

SIZE	CODE IDENT NO.	DWG. NO.		
A		S57L250S03-S		
SCALE NONE	REV A1	S57L250S03-S_PS	SHEET	

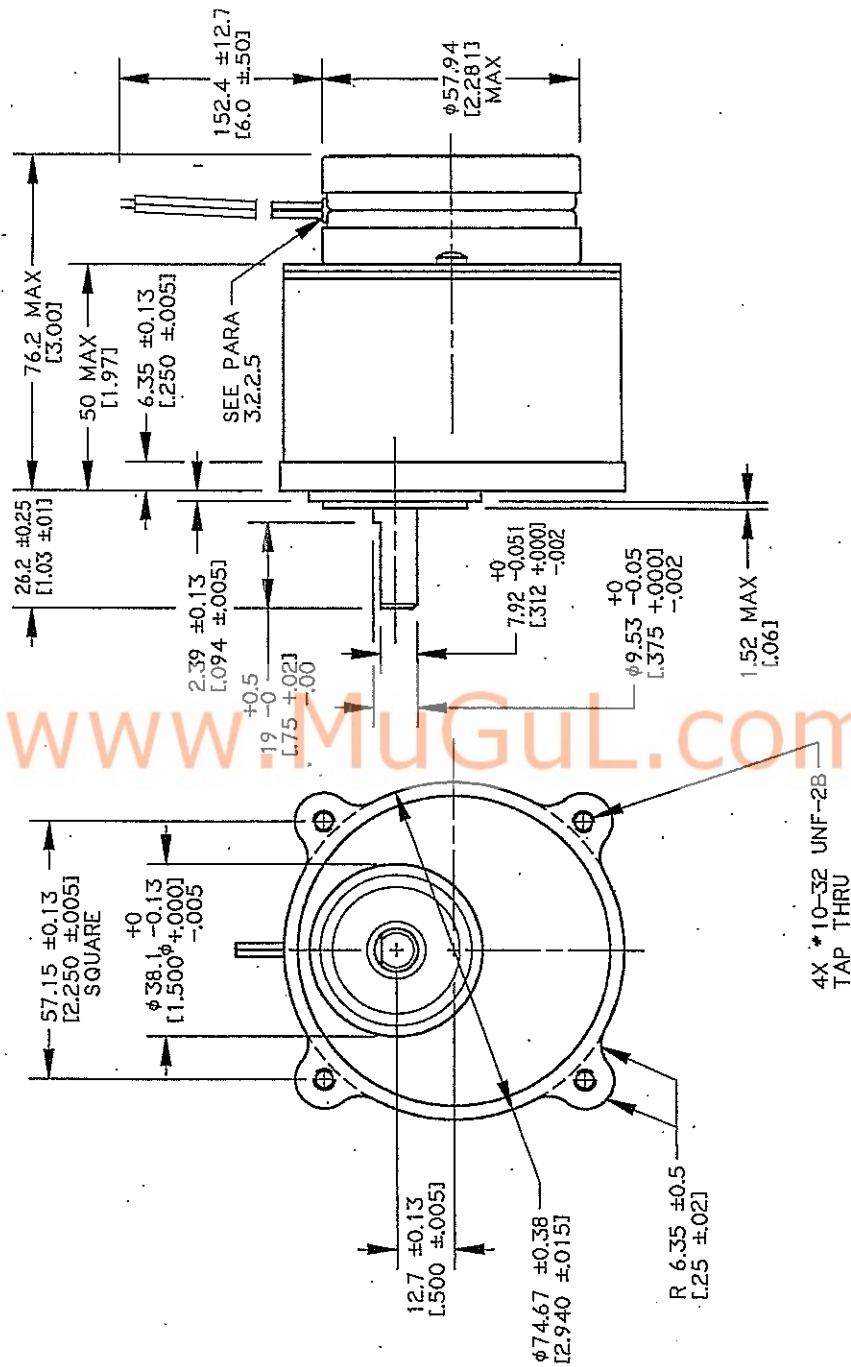


FIGURE 2

SIZE	CODE IDENT NO.	DWG. NO.	S57L250S03-S	
A				
SCALE	NONE	REV	A1	S57L250S03_S_PS SHEET 3