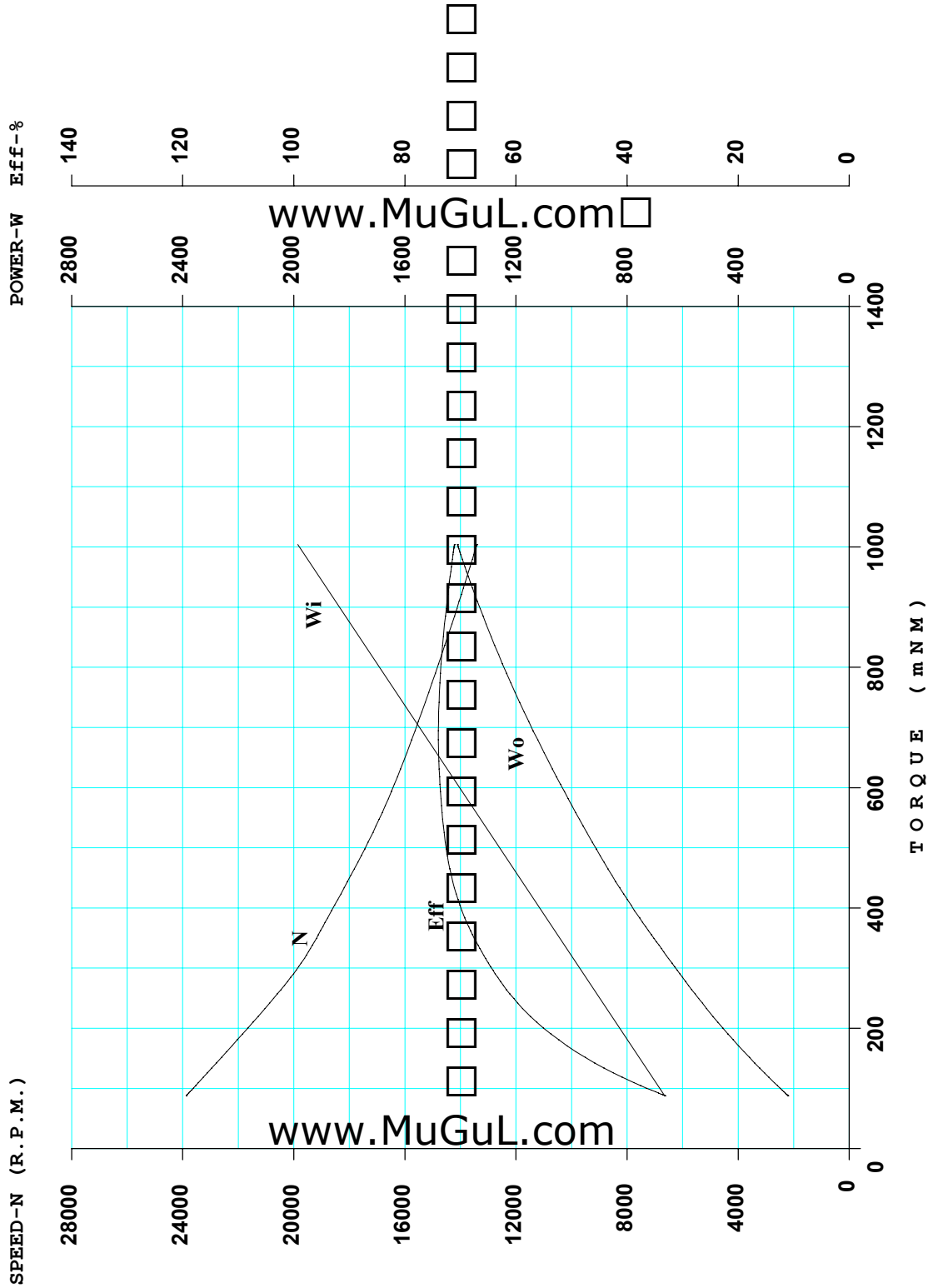


# JOHNSON ELECTRIC ENGINEERING LTD

MOTOR MODEL : U-8850-230      CODE NO. :  
 REFERENCE NO. : CH50004A      DATE : 1997/09/01

TITLE : Torque/Speed Characteristics



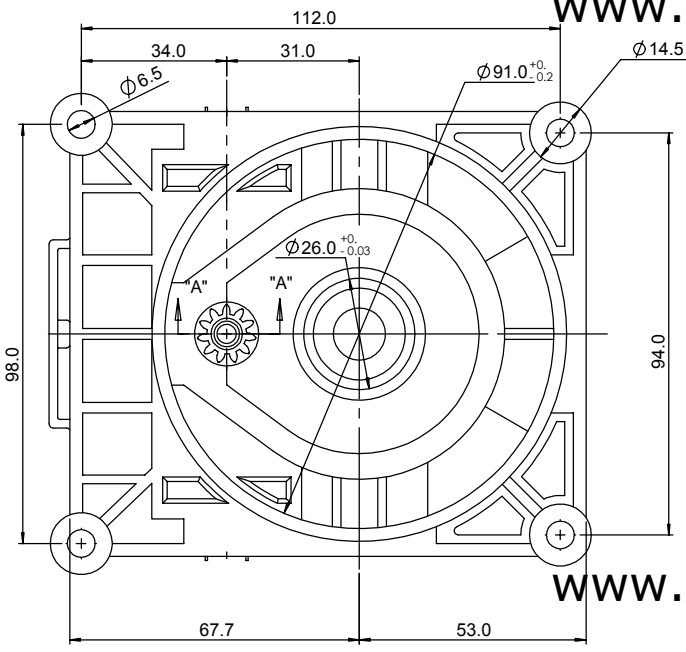
SUPPLY	
VOLTAGE	V 230
FREQUENCY	HZ 50
NO LOAD	
SPEED	RPM 0
CURRENT	AMP 0.0
AT STALL	
TORQUE	mNm -
CURRENT	AMP -
AT MAXIMUM EFFICIENCY	
EFFICIENCY	% 73
SPEED	RPM 16014
TORQUE	mNm 658.0
CURRENT	AMP 6.86
AT MAXIMUM POWER	
TORQUE	mNm -
CURRENT	AMP -
OUTPUT	W -
CHARACTERISTICS	
TOR.CONST.	mNm/AMP -
EMF CONST.	MV/RAD/SEC -
DYNAMIC 'R'	OHM -
REGULATION	RPM/mNm -

NOTES: THE CURVE REPRESENTS THE PERFORMANCE OF THE SAMPLE ONLY. PERFORMANCE SPECIFICATION FOR MASS PRODUCTION WILL BE ESTABLISHED AT PREPRODUCTION PILOT RUN

www.MuGuL.com

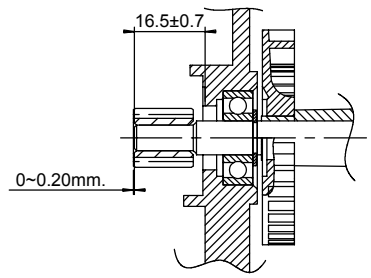
www.MuGuL.com

www.MuGuL.com



ROTATION

VIEW "B"



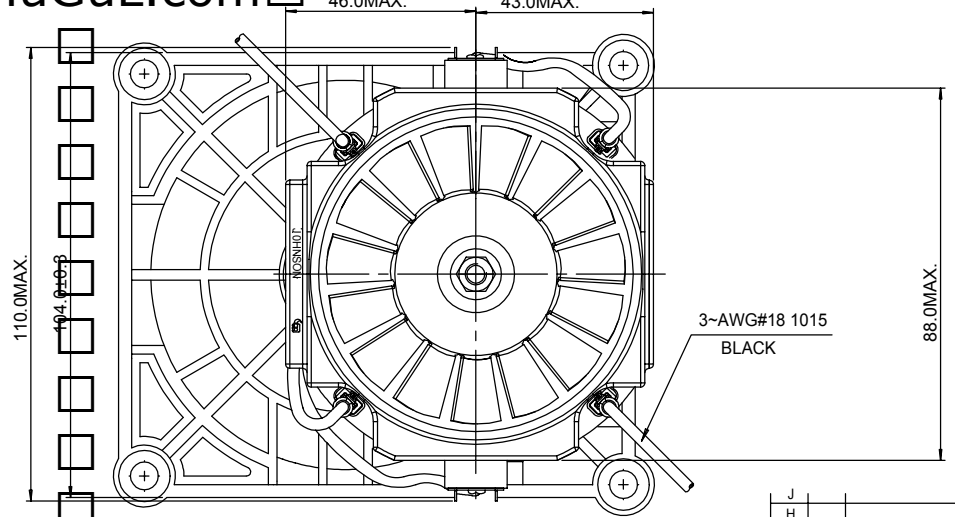
SECT "A-A"

www.MuGuL.com

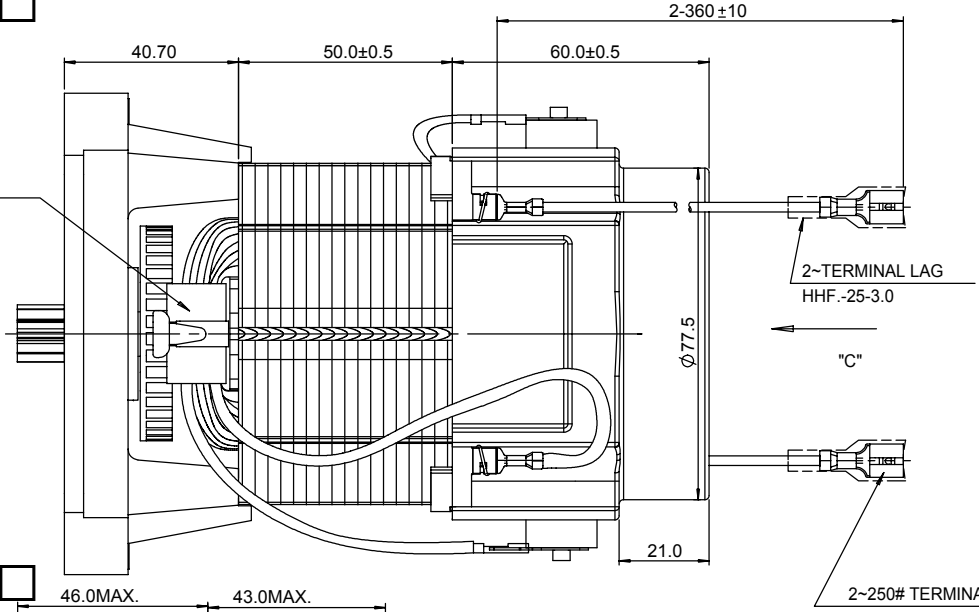
www.MuGuL.com

www.MuGuL.com

THERMOSTAT 120C (KLIXON  
7 AM 031 A 5 OR EQUIVALENT)



VIEW "C"



JOHNSON ELECTRIC GROUP OF COMPANIES  
This document is the property of Johnson Electric and the reproduction or other use thereof, without the prior written consent of Johnson Electric Group of Companies, is strictly prohibited. All rights reserved. © Copyright Johnson Electric S.A. 2000.

J	ASH0460014 CHANGE NUT	JP	2000/04/04
H	ADD NUT	SUS	6/4/99
G4	REMOVE TAPE	SUS	1/8/99
ALT. REF.	DESCRIPTION	BY	DATE
MATERIAL	FINISH	TOLERANCES	
		1 DEC. PLACES ± 0.2	
		2 DEC. PLACES ± 0.10	
		3 DEC. PLACES ± 0.05	
		ANGULAR ± 2°	
TITLE		SCALE	4 : 5
U-8850-230		DATE	10/7/97
DWN. BY		SUS	
CHK. BY			
APP. BY			
DWG. NO.		H50201	
JOHNSON ELECTRIC ENGINEERING LTD. A JOHNSON ELECTRIC GROUP COMPANY. JOHNSON BUILDING, TAI PO, HONGKONG.			