



JOHNSON ELECTRIC INDUSTRIAL MANUFACTORY LTD.

Johnson Building, 6-22, Dai Shun Street, Tai Po, Hong Kong.

Excellence in *Micromotors* Since 1959

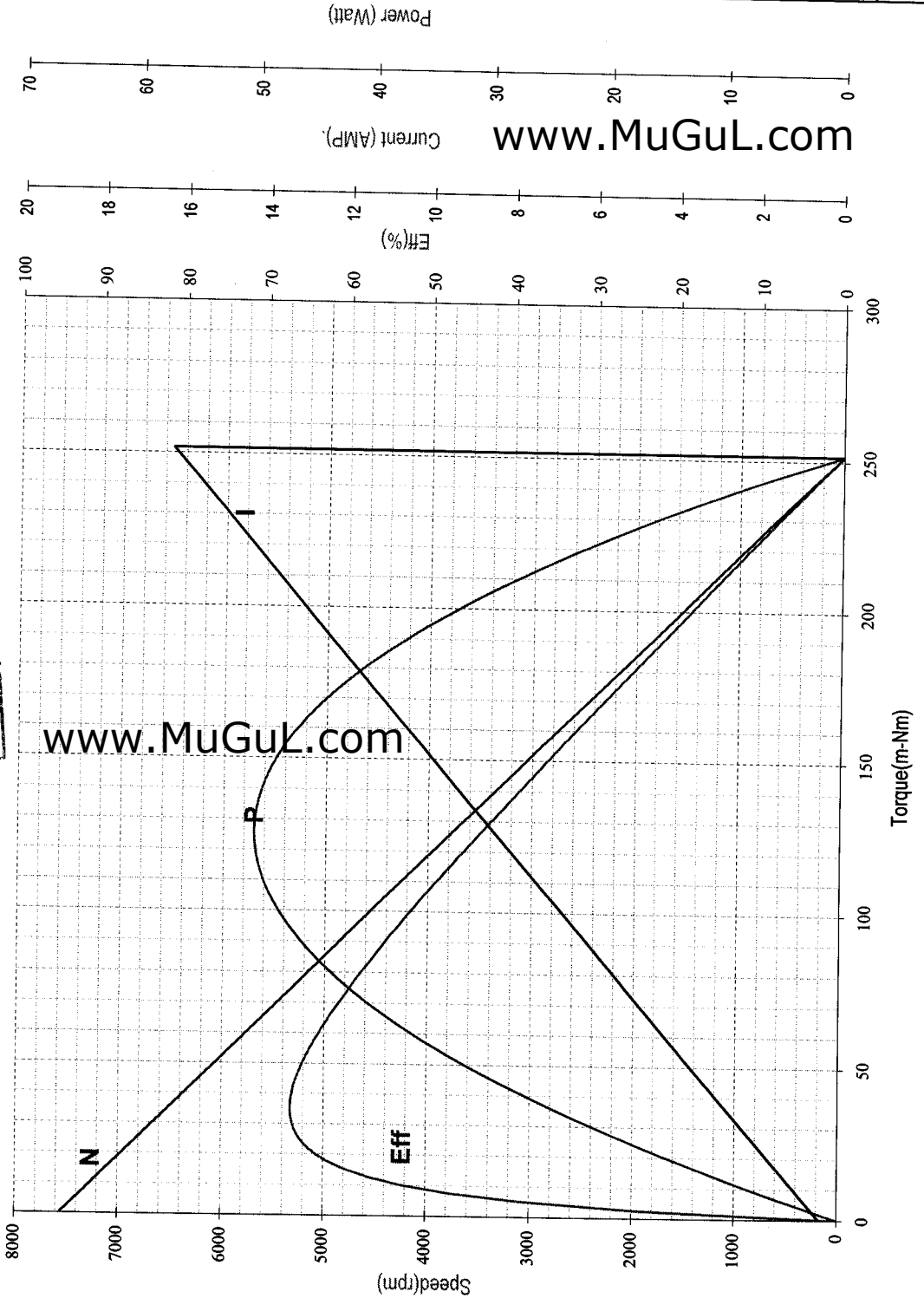
SOF NO : 00J3039/05/003 (53328)

Project No.: 00J3039

Date : 2005/06/13

FOR REFERENCE ONLY

電機參考



Performance (In an ambient temperature of 25 -30 C)
Motor tested rapidly to prevent significant temperature rise.

At a constant voltage of 13.60 Volts
With a circuit resistance 0.000 Ohms
At No Load

Speed : 7563 Rpm
Current: 0.430 Amp

At stall (Extrapolated)

Torque : 251.727 m-Nm
Current: 16.309 Amp

At maximum efficiency

Efficiency : 66.55 %

Torque : 35.164 m-Nm

Speed : 6506 Rpm

Current : 2.648 Amp

Output : 23.968 Watts

At maximum power

Torque : 125.864 m-Nm

Speed : 3781 Rpm

Current : 8.370 Amp

Output : 49.860 Watts

Characteristics

Torque Constant : 15.852 m-Nm/Amp

E.M.F Constant : 15.852 mV/rad/sec

Dy. Resistance : 0.834 Ohms

Motor Regulation: 30.043 Rpm/m-Nm

At Torque Level:

Torque: m-Nm

www.MuGuL.com

www.MuGuL.com


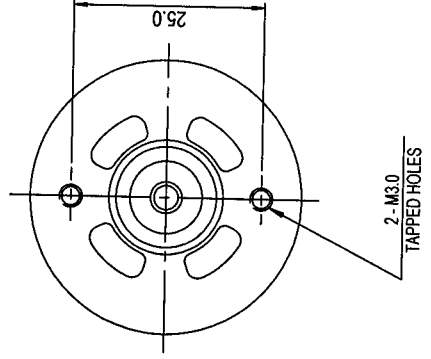
www.MuGuL.com

COMPUTER PRINT-OUT NOMINAL MOTOR CURVES.
Performance and characteristics are measured based on limited motor samples only.

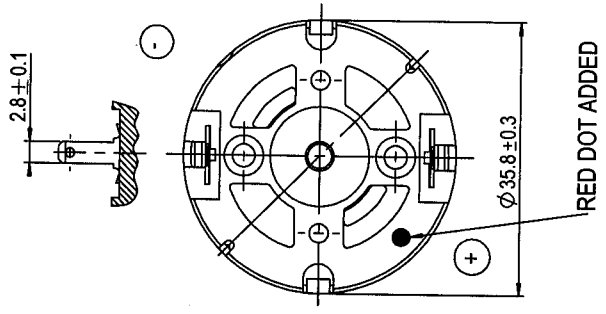
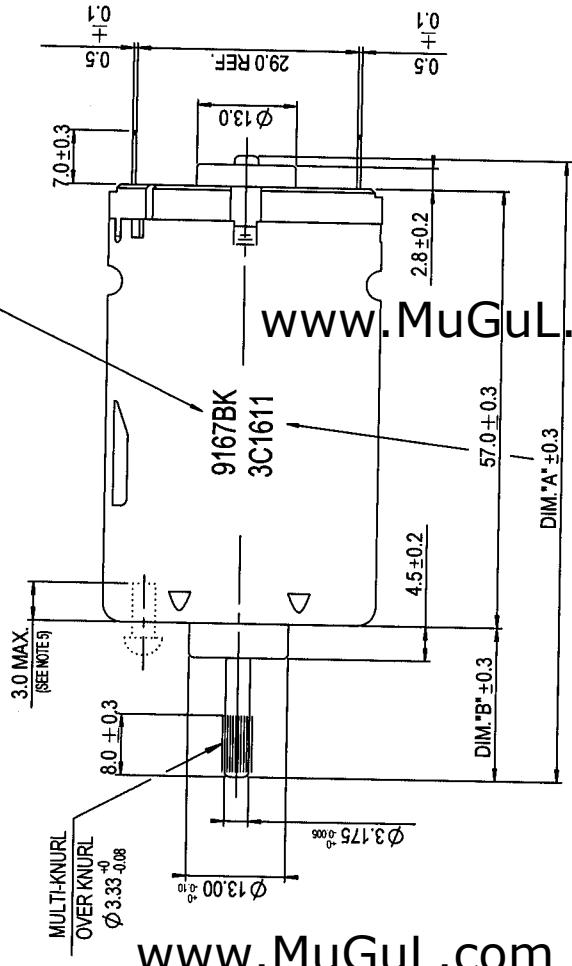
Issued by Motor Sampling

FORM : PIB-930701-1

ROTATION

CUSTOMER CODE




DIRECT PRINT CUSTOMER CODE & DATE CODE ONTO REAR HOUSING.
DATE CODE FORMAT AS ESDC - 038.

www.MuGuL.com

www.MuGuL.com

www.MuGuL.com

CONTROLLED DOCUMENT
受控文件

B	RED DOT ADDED AT +VE	JU LIANG	2022/04/02
A	FIRST ISSUE: (00A03039/240001)	JU LIANG	2022/01/11
ALT. REF.	DESCRIPTION	BY	DATE
MATERIAL	FINISH	A3	
TOLERANCES 1 DEC PLACE ± 0.15 2 DEC PLACES ± 3 DEC PLACES ± ANGULAR ± 2'			
TITLE		SCALE	DATE
(HC615L)		1:5:1	
MOTOR OUTLINE		DWN. BY	JU LIANG
		CHK. BY	2022/01/11
		APP. BY	
		DWG. NO.	
		65329-99900	
 JOHNSON ELECTRIC ENGINEERING LTD. A JOHNSON ELECTRIC GROUP COMPANY. JOHNSON BUILDING, TAI PO, HONGKONG.			

- NOTES:-
1. LENGTH OF SHAFT, DIM. "A" 85.0 mm.
 2. FRONT EXTENSION, DIM. "B" 21.5 mm., MEASURED WITH SHAFT PUSHED AGAINST PLASTIC END CAP.
 3. DIRECTION OF ROTATION : ANTI-CLOCKWISE WHEN VIEWING MOTOR OUTPUT END WITH POSITIVE VOLTAGE APPLIED TO POSITIVE TERMINAL.
 4. END PLAY : 0.50 mm.
 5. TAPPED HOLES CAN ACCEPT MAX. MALE USABLE SCREW LENGTH OF 3.0 mm..

ALL DIMENSIONS ARE IN MILLIMETRES
DO NOT SCALE DRAWING

This document is the property of Johnson Electric and the information therein contained is confidential. Unauthorized reproduction or other use is prohibited, whether directly or indirectly. Any person who is in breach of this obligation shall be liable to prosecution. The copyright in this document is owned by Johnson Electric. All rights reserved.