

# DC MOTOR

□ 60mm sq(2.361in. sq)

D615-30A(12V) / D615-30B(24V)/ D615-30F(90V)

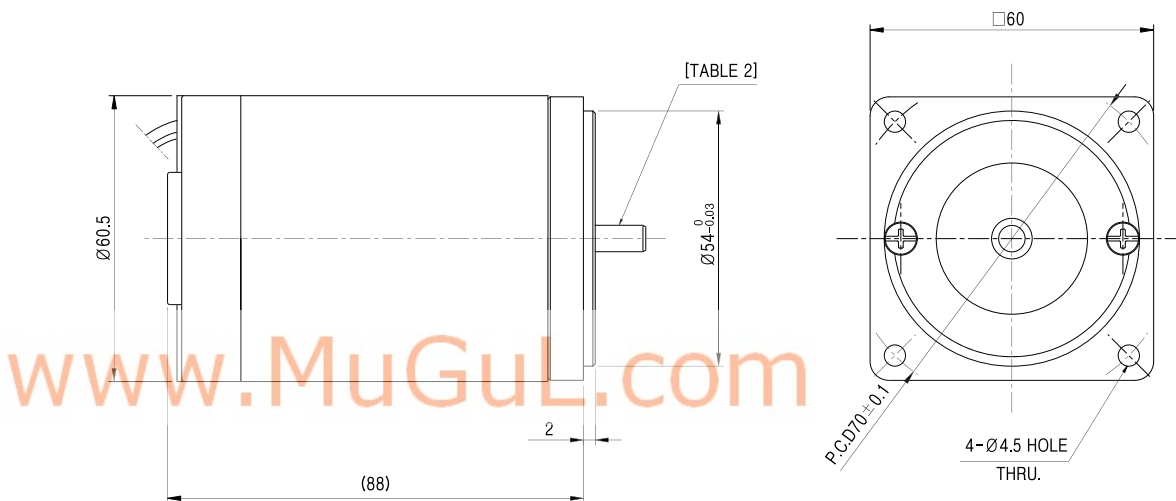


## Standard Features

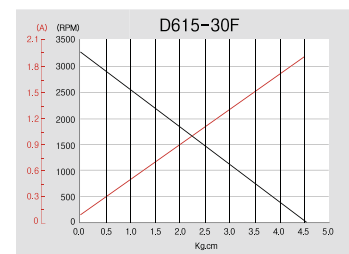
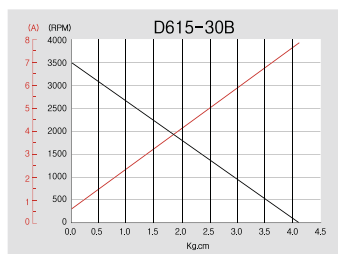
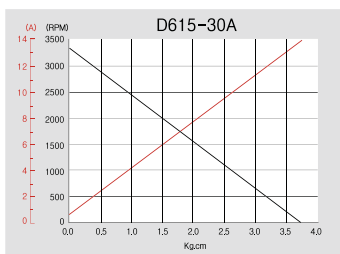
- Adjustable speed and high starting torque
- Replaceable brushes
- Different voltage and speed ratings available
- Models with accessory shaft for mounting a brake, encoder or double ended motor shaft
- Special making as per customer requirement is possible



## Typical outline drawing



## Performance curve



## Specification

MODEL NO.	Voltage (V)	No Load			Rated Load			Stall	
		Speed (r/min)	current (A)	Output (W)	Speed (r/min)	torque (kgf-cm)	current (A)	torque (kgf-cm)	current (A)
		D615-30A	12	3250	0.6	15	3000	0.49	1.7
D615-30B	24	3500	0.4	15	3000	0.49	1.2	4.1	7.7
D615-30F	90	3200	0.06	15	2900	0.49	0.16	4.5	1.9

□60mm  
D6HK□□□

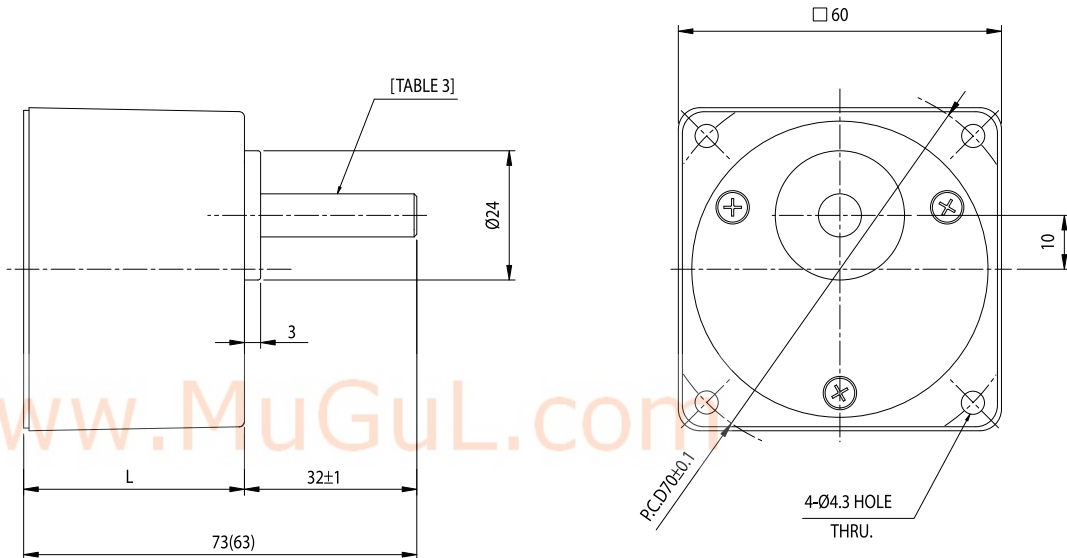


**Standard Features**

- High Precision, High Efficiency and High Reliability
- Wider varieties for gear ratios and shaft arrangements
- Special making as per customer requirement is possible



**Typical outline drawing**



Gear Ratio	L
3 ~ 18	30
20 ~ 250	41

**Specification**

**PERMISSIBLE OVERHUNG LOAD AND PERMISSIBLE THRUST LOAD**

Model	Gear Ratio	Permissible overhung load kgf	Permissible thrust load kgf
D6HK □ D6HD □ D6HS □	3 ~ 18	6	3
	20 ~ 250	15	

**Maximum permissible torque**

UNIT=kgf · cm

Gear Ratio / Model	3	3.6	5	6	7.5	9	10	12.5	15	18	20	25	30
D610-30 □	6.8	8.2	11.4	13.7	17.1	20.5	22.8	28.5	30	30	30	30	30
D615-30 □	11.7	14.0	19.5	23.4	29.2	30	30	30	30	30	30	30	30

Gear Ratio / Model	36	40	50	60	75	90	100	120	150	180	200	250
D610-30 □	30	30	30	30	30	30	30	30	30	30	30	30
D615-30 □	30	30	30	30	30	30	30	30	30	30	30	30

**Rotation Direction Output shaft in Gearbox**

**Rotation Direction as per Gear Ratio**

Gear Ratio / Model	3	3.6	5	6	7.5	9	10	12.5	15	18	20	25	30	36	40	50	60	75	90	100	120	150	180	200	250
□60mm	Same	Same	Same	Same	Same	Same	Same	Same	Same	Same	Reverse	Reverse	Reverse	Reverse	Reverse	Reverse	Reverse	Reverse	Reverse	Reverse	Reverse	Reverse	Reverse	Reverse	Reverse

■ The same direction with motor      ■ The reverse direction with motor