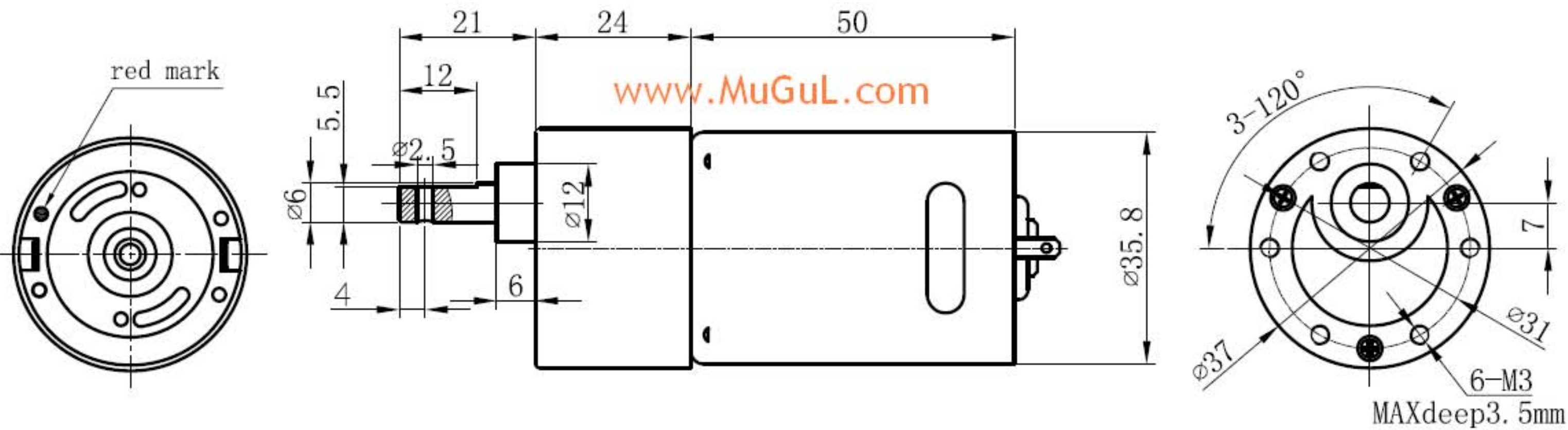


OUTLINE



1. STANDARD OPERATING CONDITIONS:

- 1.1 Rated voltage: DC 12V
- 1.2 Operating Temperature: -10 - $+60$ ° C
- 1.3 Direction of Rotation:
Anti-Clockwise when viewing motor output side with positive voltage applied to positive (red) terminal.

2. MEASURING CONDITINS:

- 2.1 Rated voltage: DC 12V
- 2.2 Enviromental Temperature: 22 ° C
- 2.3 Enviromental Humidity: 65%RH
- 2.4 Motor position: Motor to be held with shaft horizontally.

3. ELECTRICAL CHARACTERISITCS:

(At initial stage after 30 seconds run-in)

- 3.1.1 No load Speed: $155.3 \pm 10\%$ rpm
- 3.1.2 No load Current: 0.3A (0.6A max)
- 3.2.1 Rated Torque: 6kg.cm
- 3.2.2 Rated Current: 1.23A (1.85A max)
- 3.2.3 Rated Speed: $127.8 \pm 10\%$ rpm

4. MECHANICAL CHARACTERISITCS:

- 4.1 End Play: ≤ 0.5 mm

5. ASSEMBLING MOTOR:

545 12V $6200 \pm 10\%$ rpm

PERFORMANCE CURVE

