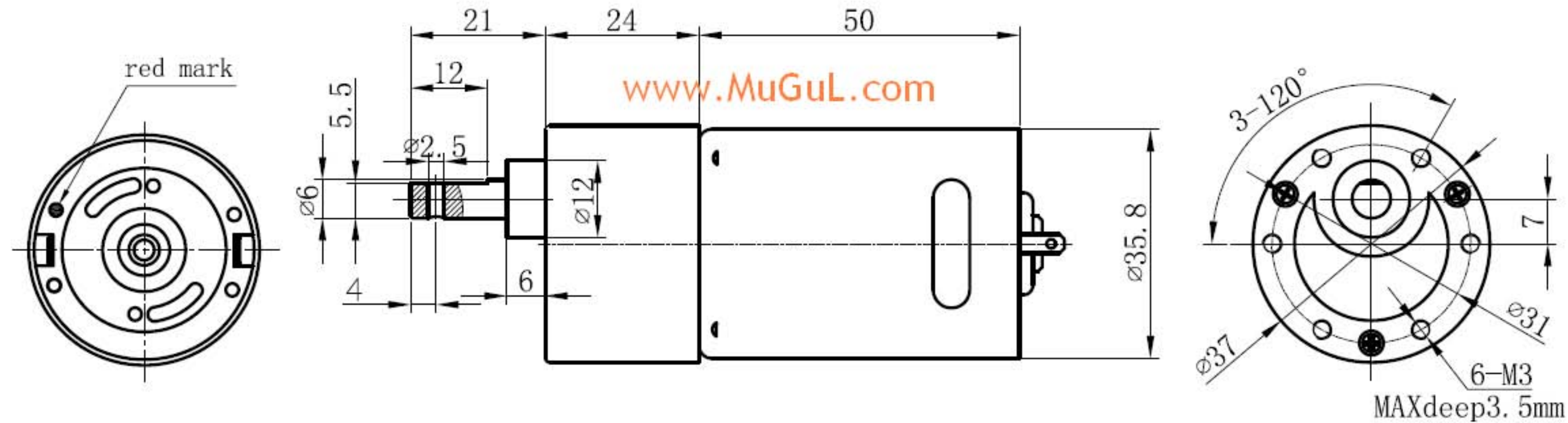


OUTLINE



1. STANDARD OPERATING CONDITIONS:

- 1.1 Rated voltage: DC 24V
- 1.2 Operating Temperature: -10 to $+60^{\circ}$ C
- 1.3 Direction of Rotation:
Anti-Clockwise when viewing motor output side with positive voltage applied to positive (red) terminal.

2. MEASURING CONDITIONS:

- 2.1 Rated voltage: DC 24V
- 2.2 Environmental Temperature: 22° C
- 2.3 Environmental Humidity: 65%RH
- 2.4 Motor position: Motor to be held with shaft horizontally.

3. ELECTRICAL CHARACTERISTICS:

- (At initial stage after 30 seconds run-in)
- 3.1.1 No load Speed: $300 \pm 10\%$ rpm
 - 3.1.2 No load Current: 0.4A (0.8A max)
 - 3.2.1 Rated Torque: 4kg.cm
 - 3.2.2 Rated Current: 1.5A (1.8A max)
 - 3.2.3 Rated Speed: $271 \pm 10\%$ rpm

4. MECHANICAL CHARACTERISTICS:

- 4.1 End Play: ≤ 0.5 mm

5. ASSEMBLING MOTOR:

545 24V $12000 \pm 10\%$ rpm