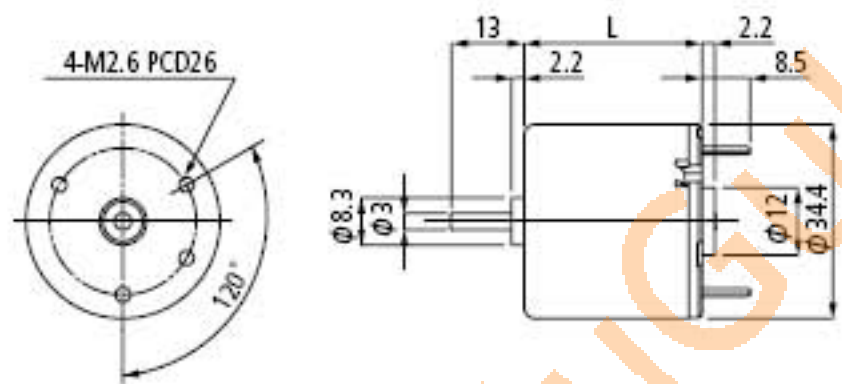
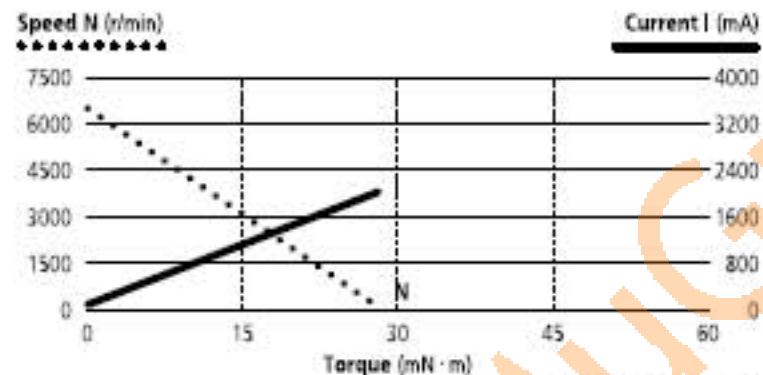


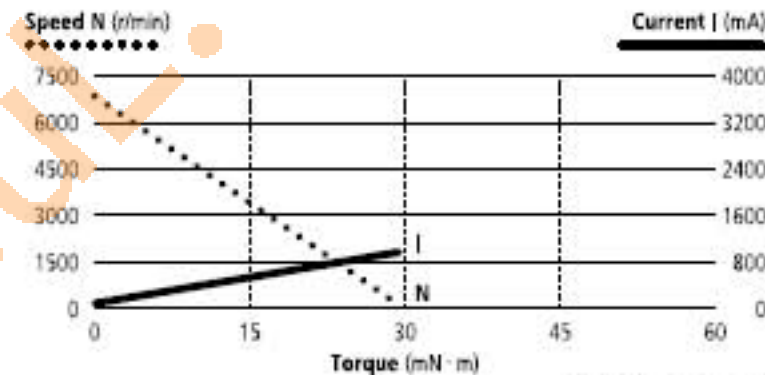
■ EN35 Series



| Type | L (mm) |
|------|--------|
| M | 31.6 |



EN35 M 12V



EN35 M 24V

| MODEL | Rated Voltage | Rated Power Output | Rated Torque | Rated Speed | Rated Current | No Load Speed | No Load Current | Starting Torque | Torque Constant | Winding Resistance | Winding Inductance | Moment of Inertia | Mechanical Time Constant | Thermal Resistance |
|--------|---------------|--------------------|--------------|-------------|---------------|---------------|-----------------|-----------------|-----------------|--------------------|--------------------|-------------------|--------------------------|--------------------|
| | V | W | mN·m(gf·cm) | r/min | mA | r/min | mA | mN·m(gf·cm) | mN·mA(gf·cm/A) | V | mH | g·cm ² | ms | °C/W |
| EN35 M | 12 | 2.3 | 3.92 (40) | 5700 | 340 | 6500 | 95 | 28.4 (290) | 16.1 (164) | 6.0 | 3.5 | 21.0 | 49 | 27 |
| | 24 | 2.5 | 3.92 (40) | 6000 | 175 | 6900 | 50 | 29.4 (300) | 30.8 (314) | 23.7 | 12.8 | 21.0 | 52 | 26 |