

BLDC Water Pump

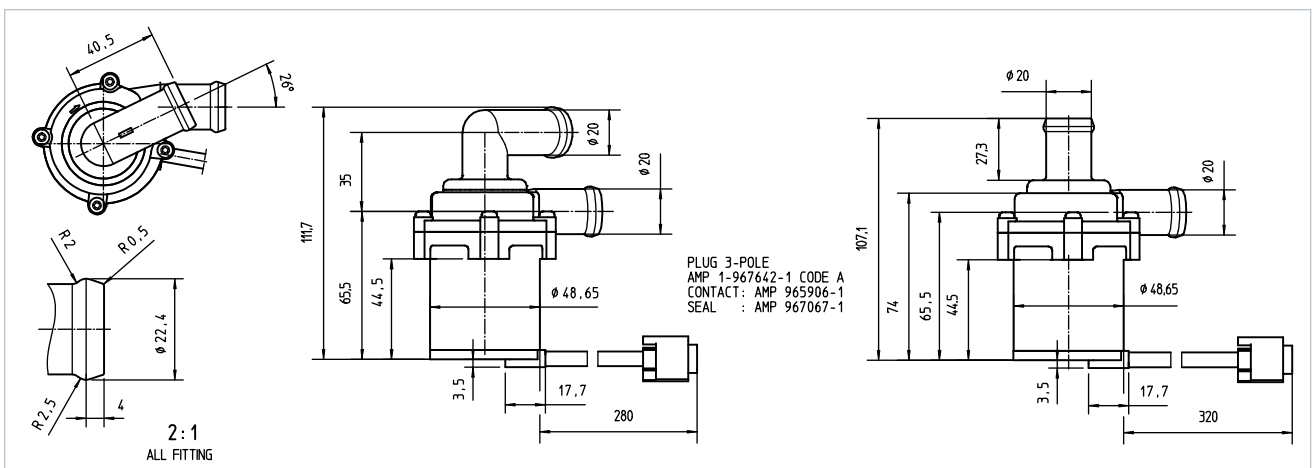
1.24.020.XXX



Design	
Pump	Wet-rotor principle not self-priming Intake fitting radial or axial
Motor	single phase, unipolar Inner rotor design Overload protection Integrated RFI Protection against false polarity
Protection class	IP6K9K / IPX9K

Type 1.24.020.XXX			230	231
Characteristics*			axial	radial
Rated voltage	U	V	12	12
Feed pressure	ΔP_D	bar	0.14	0.14
Feed output	V	l / h	500	500
Current	I_N	A	1.0	1.0
Overall efficiency	η	%	17	17
max. Constant current	I_{max}	A	2.5	2.5
max. Feed pressure	ΔP_{Dmax}	bar	0.18	0.18
max. Feed output	V_{max}	l / h	980	980

Motor Parameters*				
Weight	G	g	350	350
Terminal Resistance	R	Ohm	1.0	1.0



1.24.020.XXX

Operational conditions				
Temperature range	T	°C	-40 - +100	
Medium temperature	TM	°C	-40 - +125	
Pressure range (absolute) - constant operations	P	bar	0.1 - 3.5	

* at 25° C