

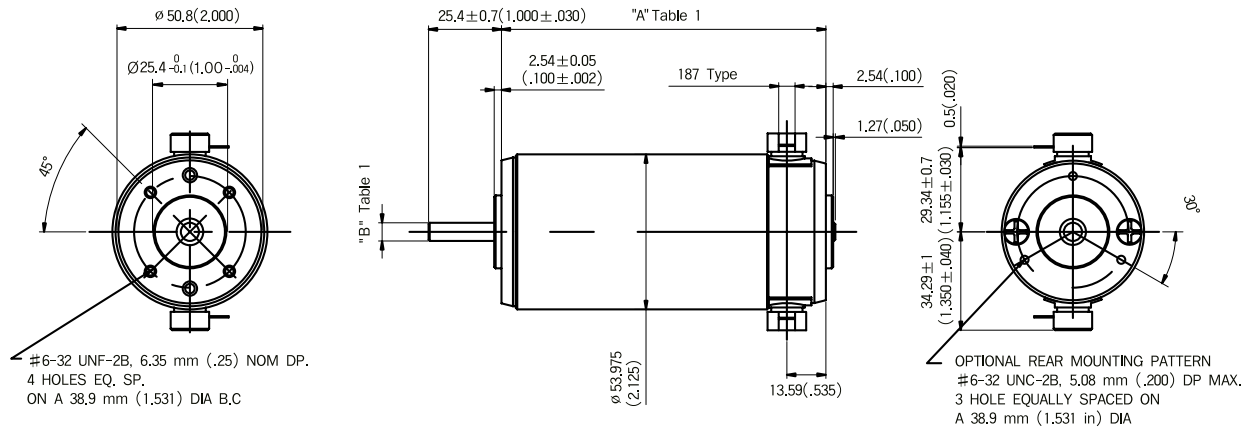
STANDARD TYPE PERMANENT MAGNET DC MOTOR



RM5 SERIES COMPACT DC MOTOR

MOTOR DIMENSION

unit: mm(inch)



MOTOR DIMENSION (Table1)

unit: mm(inch)

MODEL NO.	"A" DIMENSION	"B" DIMENSION
RM51□□□	75.0 mm (2.953)	6.336±0.003 mm (.2494±.0002)
RM52□□□	81.4 mm (3.205)	6.336±0.003 mm (.2494±.0002)
RM53□□□	94.1 mm (3.705)	6.336±0.003 mm (.2494±.0002)

MODEL NO.	"A" DIMENSION	"B" DIMENSION
RM54□□□	103.6 mm (4.079)	6.336±0.003 mm (.2494±.0002)
RM55□□□	113.1 mm (4.453)	6.336±0.003 mm (.2494±.0002)
RM56□□□	125.8 mm (4.953)	6.336±0.003 mm (.2494±.0002)
RM57□□□	144.9 mm (5.705)	7.990±0.003 mm (.3146±.0002)

MOTOR SPECIFICATION

(at DC 24V)

Type	No Load		Rated Load			Stall (Peak)		Run Duty	Weight
	Revolution	Current	Revolution	Torque	Current	Torque	Current		
	(RPM)	(A)	(RPM)	kg.cm(oz.in)	(A)	kg.cm(oz.in)	(A)		
RM51□□□	4230	0.26	3700	0.58(8.06)	0.70	4.52(62.78)	8.6	2000	0.59(20.8)
RM52□□□	4087	0.24	3600	0.92(12.78)	1.70	7.71(107.08)	13.9	2000	0.74(26.1)
RM53□□□	3456	0.24	3200	1.08(15.00)	1.90	11.45(159.24)	17.4	2000	0.89(31.4)
RM54□□□	3702	0.26	3300	1.44(20.00)	2.70	14.70(204.17)	23.8	2000	1.00(35.3)
RM55□□□	3056	0.25	2700	1.80(25.00)	2.60	16.20(225.00)	21.6	2000	1.12(39.5)
RM56□□□	3216	0.24	2950	1.58(21.94)	2.80	20.45(284.03)	28.6	2000	1.29(45.5)
RM57□□□	3211	0.30	3000	2.20(30.56)	3.00	29.52(410.00)	40.4	2000	1.55(54.7)