

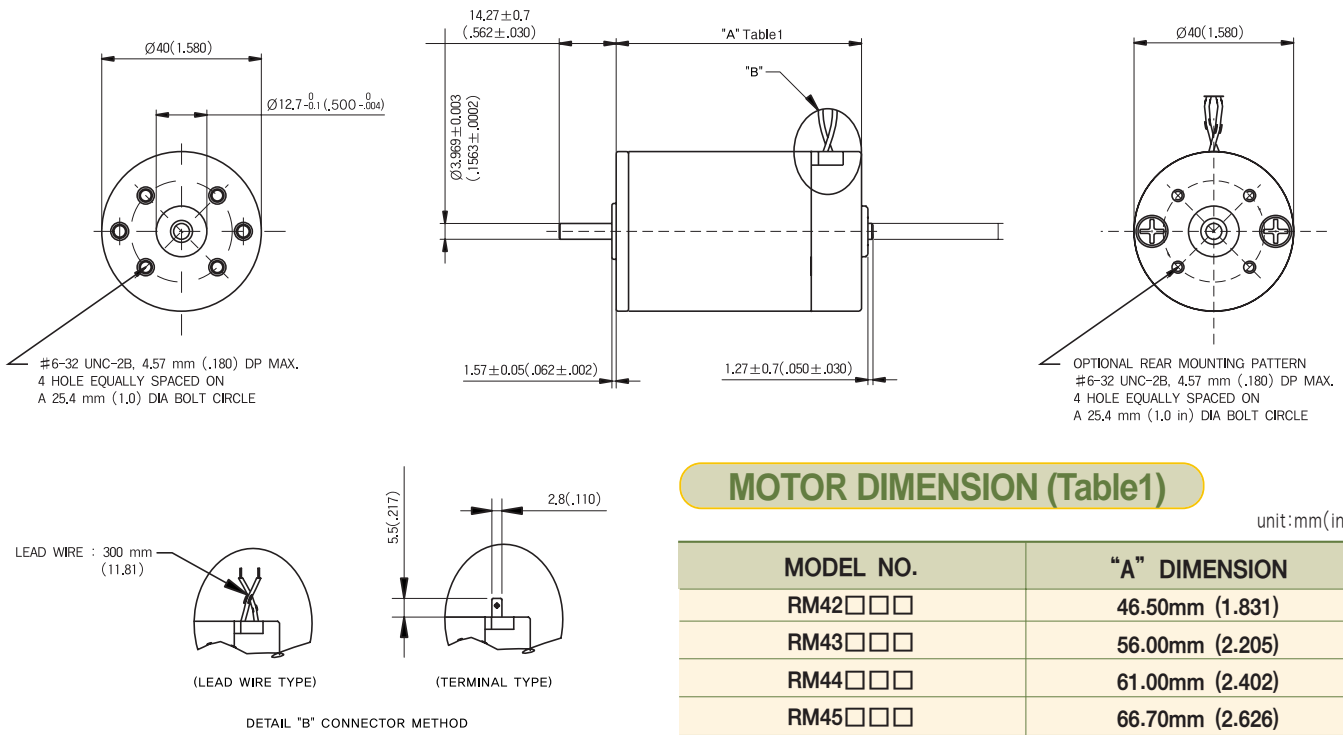
STANDARD TYPE PERMANENT MAGNET DC MOTOR



RM4 SERIES COMPACT DC MOTOR

MOTOR DIMENSION

unit : mm(inch)



MOTOR DIMENSION (Table1)

unit:mm(inch)

MODEL NO.	"A" DIMENSION
RM42□□□	46.50mm (1.831)
RM43□□□	56.00mm (2.205)
RM44□□□	61.00mm (2.402)
RM45□□□	66.70mm (2.626)
RM46□□□	77.60mm (3.055)

MOTOR SPECIFICATION

(at DC 24V)

Type	No Load		Rated Load			Stall (Peak)		Run Duty (Hr)	Weight kg(oz)
	Revolution	Current	Revolution	Torque	Current	Torque	Current		
	(RPM)	(A)	(RPM)	kg.cm (oz.in)	(A)	kg.cm (oz.in)	(A)		
RM42□□□	7015	0.16	5600	0.18(2.50)	0.75	0.994(13.81)	3.25	2000	0.20(7.1)
RM43□□□	5993	0.15	5300	0.29(4.03)	0.90	2.275(31.60)	6.09	2000	0.25(8.8)
RM44□□□	6151	0.16	5500	0.30(4.17)	0.90	2.974(41.31)	8.11	2000	0.29(10.2)
RM45□□□	6348	0.19	5700	0.36(5.00)	1.15	3.557(49.40)	10.10	2000	0.33(11.6)
RM46□□□	4916	0.16	4400	0.50(6.94)	1.20	4.450(20.14)	9.64	2000	0.39(13.8)