

25W

INDUCTION MOTOR, REVERSIBLE MOTOR
 80mm TERMINAL BOX TYPE

■ INDUCTION MOTOR - CONTINUOUS RATING

SIZE mm sq.	Type	Poles	Output (W)	Voltage (V)	Frequency (Hz)	Duty	Rated Load				Starting Torque		Capacitor (uF)
							Current (A)	Speed (rpm)	Torque (kg-cm) (N-m)		(kg-cm)	(N-m)	
80	S8I25GA-T S8I25GA-T1	4	25	1 ∅ 110	60	Cont.	0.51	1600	1.60	0.160	1.80	0.180	6.0
	S8I25GB-T S8I25GB-T1	4	25	1 ∅ 220	60	Cont.	0.23	1550	1.65	0.165	1.80	0.180	1.5
	S8I25GC-T S8I25GC-T1	4	25	1 ∅ 100	50 60	Cont.	0.57 0.52	1250 1550	2.00 1.65	0.200 0.165	1.45	0.145	6.0
	S8I25GD-T S8I25GD-T1	4	25	1 ∅ 200	50 60	Cont.	0.30 0.29	1250 1500	2.00 1.70	0.200 0.170	1.45	0.145	1.5
	S8I25GX-T S8I25GX-T1 S8I25GX-TCE S8I25GX-T1CE	4	25	1 ∅ 220 1 ∅ 240	50	Cont.	0.23 0.25	1200	2.10 2.20	0.210 0.220	1.10 1.30	0.110 0.180	1.3
	S8I25GU-T S8I25GU-T1 S8I25GU-TCE S8I25GU-T1CE	4	25	3 ∅ 200	50 60	Cont.	0.26 0.24	1300 1550	1.95 1.65	0.195 0.165	3.50 2.90	0.350 0.290	-
	S8I25GT-T S8I25GT-T1 S8I25GT-TCE S8I25GT-T1CE	4	25	3 ∅ 220	50 60	Cont.	0.28 0.24	1350 1600	1.90 1.60	0.190 0.160	4.20 3.50	0.420 0.350	-
	S8I25GS-T S8I25GS-T1 S8I25GS-TCE S8I25GS-T1CE	4	25	3 ∅ 380 3 ∅ 400 3 ∅ 415 3 ∅ 440	50 60 50 60 50 60	Cont. Cont. Cont. Cont.	0.14 0.12 0.14 0.12 0.15 0.13 0.15 0.13	1250 1500 1250 1500 1300 1550 1300 1550	2.00 1.70 2.10 1.80 1.95 1.65 2.10 1.80	0.200 0.170 0.210 0.180 0.195 0.165 0.210 0.180	3.15 2.50 3.50 2.75 3.75 3.00 4.40 3.40	0.315 0.250 0.350 0.275 0.375 0.300 0.440 0.340	-

- "CE" marked at the end of the model name indicates that it is thermally protected type which has received CE marking (File NO. E9766002E01, Certificate Institute: TÜV Rheinland) with built-in TP.
- "TP" marked at the end of the model name indicates that it is standard motor with Thermal Protector mounted. S8I25GX-T, S8I25GS-T is thermally protected type with TP mounted.
- In case 3 phase 380V motor is controlled with inverter, please be careful to use considerin
- There is no marked the 'L' code for it is an exclusive use.

REVERSIBLE MOTOR - 30MINUTES RATING

SIZE mm sq.	Type	Poles	Output (W)	Voltage (V)	Frequency (Hz)	Duty	Rated Load				Starting Torque		Capacitor (uF)	
							Current (A)	Speed (rpm)	Torque (Kg-Cm) (N-m)		(Kg-Cm)	(N-m)		
80	S8R25GA-T S8R25GA-T S8R25GA-T(TP) S8R25GA-T1(TP) S8R25GA-TCE S8R25GA-T1CE	4	25	1 ∅ 110	60	30min.	0.71	1550	1.70	0.170	2.30	0.230	10.0	
	S8R25GB-T S8R25GB-T S8R25GB-T(TP) S8R25GB-T1(TP) S8R25GB-TCE S8R25GB-T1CE	4	25	1 ∅ 220	60	30min.	0.35	1600	1.65	0.165	2.30	0.230	2.5	
	S8R25GC-T S8R25GC-T S8R25GC-T(TP) S8R25GC-T1(TP) S8R25GC-TCE S8R25GC-T1CE	4	25	1 ∅ 100	50	30min.	0.63	1250	2.10	0.210	1.80	0.180	10.0	
				60	0.70		1500	1.70	0.170					
		S8R25GD-T S8R25GD-T S8R25GD-T(TP) S8R25GD-T1(TP) S8R25GD-TCE S8R25GD-T1CE	4	25	1 ∅ 200	50	30min.	0.33	1250	2.10	0.210	1.80	0.180	2.5
				60	1550	1.70			0.170					
	S8R25GE-T S8R25GE-T S8R25GE-TCE S8R25GE-T1CE	4	25	1 ∅ 100	50	30min.	0.60	1250	2.10	0.210	1.30	0.130	8.0	
			60	0.65	1450		1.80	0.180						
			1 ∅ 115	60	0.63		1550	1.70	0.170	7.0				
	S8R25GX-T S8R25GX-T S8R25GX-TCE S8R25GX-T1CE	4	25	1 ∅ 220	50	30min.	0.26	1200	2.00	0.200	1.70	0.170	2.0	
			1 ∅ 240	0.28			2.20		0.220	2.20				0.220

- Please use appropriate capacitors according to the using voltage for S8R25GE-T type since the size of the capacitors differ to the different voltages and when not used properly, it may cause malfunction. Please inform required voltage when ordering or capacitor for 115V will be delivered.
- "CE" marked at the end of the model name indicates that it is thermally protected type which has received CE marking (File NO. E9766002E01, Certificate Institute: TÜV Rheinland) S8R25GE-TCE is available only for 115V specification.
- "TP" marked at the end of the model name indicates that it is standard motor with Thermal Protector mounted. S8R25GE-T, S8R25GX-T is thermally protected type with TP mounted.
- Above data is measured with friction brake mounted.
- There is no marked the 'L' code for it is an exclusive use.

50Hz

GEAR RATIO		3	3.6	5	6	7.5	9	10	12.5	15	18	20	25	30	36	40	50	60	75	90	100	120	150	180	200	
MODEL	rpm	500	416	300	250	200	166	150	120	100	83	75	60	50	41	37	30	25	20	16	15	12	10	8	7.5	
	kg-cm	5.3	6.4	8.9	10.7	13.4	16.0	17.8	22.3	26.7	32.1	32.1	40.2	48.2	57.8	64.2	72.6	80.0	80.0	80.0	80.0	80.0	80.0	80.0	80.0	80.0
S8KA□B	N·m	0.519	0.627	0.872	1.049	1.313	1.568	1.744	2.185	2.617	3.146	3.146	3.940	4.724	5.664	6.292	7.115	7.840	7.840	7.840	7.840	7.840	7.840	7.840	7.840	7.840

60Hz

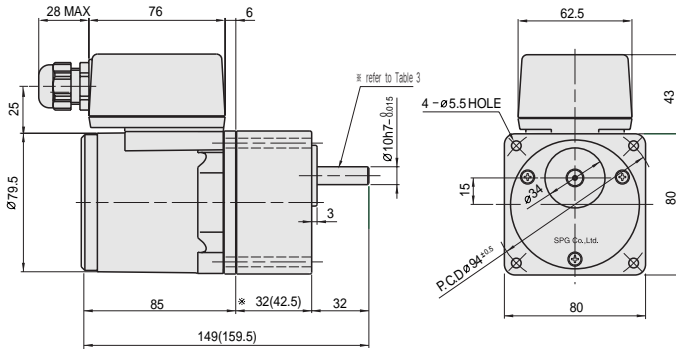
GEAR RATIO		3	3.6	5	6	7.5	9	10	12.5	15	18	20	25	30	36	40	50	60	75	90	100	120	150	180	200	
MODEL	rpm	600	500	360	300	240	200	180	144	120	100	90	72	60	50	45	36	30	24	20	18	15	12	10	9	
	kg-cm	4.4	5.2	7.3	8.7	10.9	13.1	14.6	18.2	21.9	26.2	26.3	32.9	39.4	47.3	52.6	59.4	71.3	80.0	80.0	80.0	80.0	80.0	80.0	80.0	80.0
S8KA□B	N·m	0.431	0.510	0.715	0.853	1.068	1.284	1.431	1.784	2.146	2.568	2.577	3.224	3.861	4.635	5.155	5.821	6.987	7.840	7.840	7.840	7.840	7.840	7.840	7.840	7.840

- The code in □ of gearhead model is for gear ratio.
- It is the permissible torque of the assembled motor and gearhead.
- The permissible torque of the assembled with motor and inter-decimal gearhead is 80kg · cm.
- ■ color indicates that the output shaft of the geared motor rotates in the same direction as the output shaft of the motor. Others indicate rotation in the opposite direction.
- Rotational speed based on synchronous speed (50Hz:1500rpm, 60Hz:1800rpm) divided by gear ratio. The actual rotation speed is less 2-20% than the displayed value according to the load.
- There is no marked the 'L' code for it is an exclusive use.

DIMENSIONS

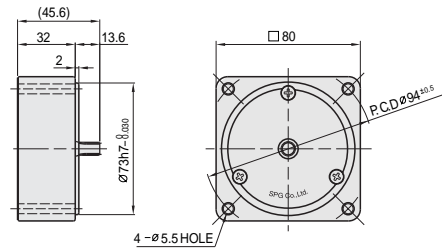
▼ GEARED MOTOR

- * MOTOR MODEL : S8(I,R)25G□-T
- * HEAD MODEL : S8□A3□~S8□A200□



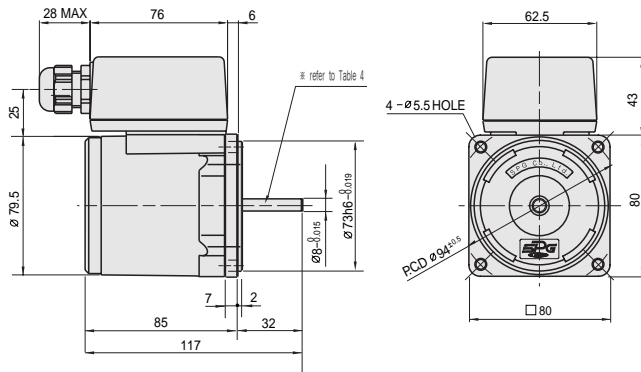
▼ INTER-DECIMAL GEAR HEAD

- * MODEL : S8GX10B



▼ MOTOR

- * MOTOR MODEL : S8(I,R)25□□-T



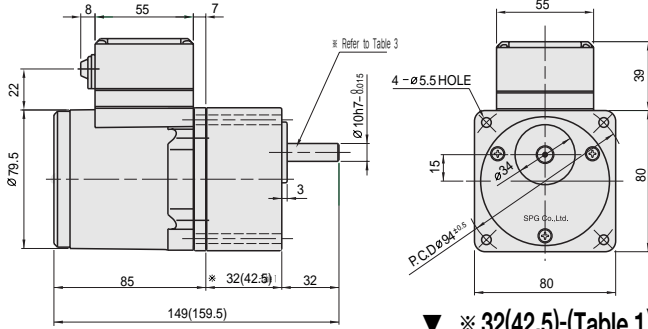
▼ WEIGHT-(Table 2)

PART		WEIGHT(kg)
INDUCTION MOTOR		1.60
REVERSIBLE MOTOR		1.65
DECIMAL GEARHEAD		0.43
GEAR HEAD	S8 □ A3 □ ~S8 □ A18 □	0.43
	S8 □ A20 □ ~S8 □ A40 □	0.57
	S8 □ A50 □ ~S8 □ A200 □	0.61

DIMENSIONS

▼ GEARED MOTOR

※ MOTOR MODEL : S8(I,R)25G□-T1 ※ HEAD MODEL : S8□A3□~S8□A200□



▼ ※ 32(42.5)-(Table 1)

GEAR RATIO	SIZE(mm)
S8□A3□~S8□A18□	32
S8□A20□~S8□A200□	42.5

▼ SPEC for output shaft of gearhead-(Table 3)

MODEL	TYPES OF OUTPUT SHAFT
STRAIGHT TYPE	
S8SA3□ ~S8SA200□	
D-CUT TYPE	
S8DA3□ ~S8DA200□	
KEY TYPE	
S8KA3□ ~S8KA200□	

▼ KEY SPEC

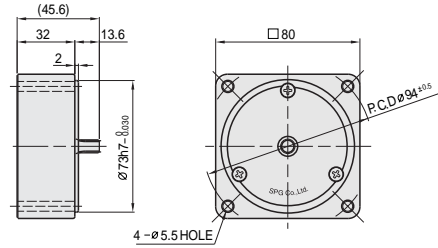
GEARHEAD	MOTOR

▼ SPEC for output shaft of motor-(Table 4)

MODEL	TYPES OF OUTPUT SHAFT
GEAR TYPE	
S8(I,R)25G□-T S8(I,R)25G□-T1	
STRAIGHT TYPE	
S8(I,R)25S□-T S8(I,R)25S□-T1	
D-CUT TYPE	
S8(I,R)25D□-T S8(I,R)25D□-T1	
KEY TYPE	
S8(I,R)25K□-T S8(I,R)25K□-T1	

▼ INTER-DECIMAL GEARHEAD

※ MODEL : S8GX10B

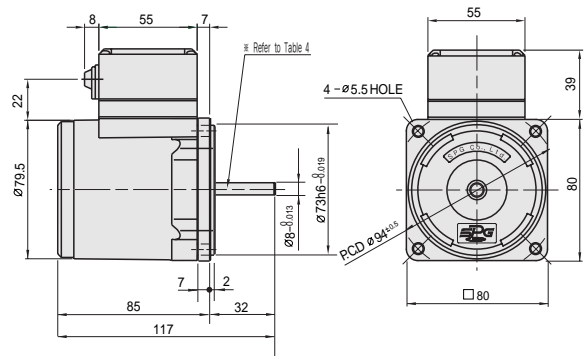


▼ WEIGHT-(Table 2)

PART	WEIGHT(Kg)	
INDUCTION MOTOR	1.55	
REVERSIBLE MOTOR	1.60	
DECIMAL GEARHEAD	0.43	
GEAR HEAD	S8□A3□ ~S8□A18□	0.43
	S8□A20□ ~S8□A40□	0.57
	S8□A50□ ~S8□A200□	0.61

▼ MOTOR

※ MOTOR MODEL : S8(I,R)25 □□-T1



SCHEMATIC DIAGRAMS

The direction of motor rotation is as viewed from the front shaft end of the motor.
Circled number is the terminal number inside terminal box.

■ INDUCTION MOTOR

S8I25GA-T S8I25GB-T S8I25GC-T S8I25GD-T S8I25GA-T1 S8I25GB-T1 S8I25GC-T1 S8I25GD-T1	S8I25GX-T S8I25GX-TCE S8I25GX-T1 S8I25GX-T1CE	S8I25GU-T S8I25GT-T S8I25GU-T1 S8I25GT-T1	S8I25GU-TCE S8I25GT-TCE S8I25GU-T1CE S8I25GT-T1CE			
CW 	CCW 	CW,CCW 	CW 	CCW 	CW 	CCW

■ REVERSIBLE MOTOR

S8I25GS-TCE S8I25GS-T S8I25GS-T1CE S8I25GS-T1	S8R25GA-T, S8R25GB-T S8R25GA-T1, S8R25GB-T1 S8R25GC-T, S8R25GD-T S8R25GC-T1, S8R25GD-T1	S8R25GX-T, S8R25GX-TCE S8R25GX-T1, S8R25GX-T1CE	S8R25GA-T(TP), S8R25GB-T(TP), S8R25GC-T(TP), S8R25GD-T(TP), S8R25GA-T1(TP), S8R25GB-T1(TP), S8R25GC-T1(TP), S8R25GD-T1(TP), S8R25GA-TCE, S8R25GB-TCE, S8R25GC-TCE, S8R25GD-TCE, S8R25GE-T, S8R25GE-TCE, S8R25GA-T1CE, S8R25GB-T1CE, S8R25GC-T1CE, S8R25GD-T1CE, S8R25GE-T1, S8R25GE-T1CE	
CW,CCW 	CW,CCW 	CW,CCW 	CW,CCW 	CW,CCW

Change the direction of motor rotation only after the motor stops completely. If an attempt is made to change the direction of rotation while the motor is running, the motor may ignore the reversing command or change its direction of rotation after some delay. ①, ②, ③, ④: Terminal NO.