

STANDARD TYPE PERMANENT MAGNET DC MOTOR

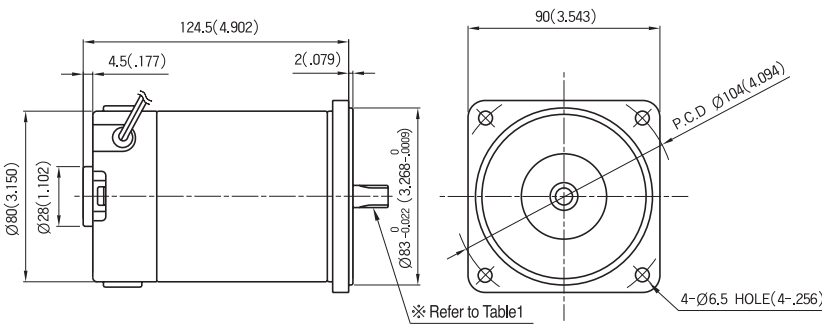


S9D SERIES

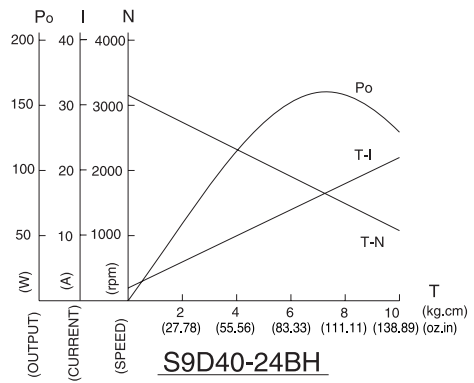
40W

MOTOR DIMENSION

unit : mm(inch)



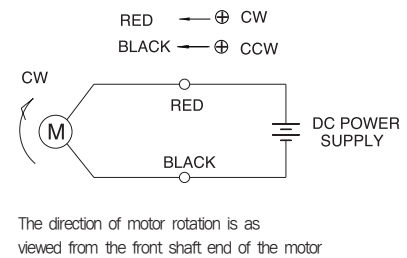
CHARACTERISTIC CURVE



SPEC for output shaft of motor-(Table 1)

MODEL	GEARED TYPE	STRAIGHT TYPE	D-CUT TYPE	KEY TYPE
	S9D40-□BH	S9D40-□S	S9D40-□D	S9D40-□K
TYPE OF OUTPUT SHAFT				

CIRCUIT DIAGRAM



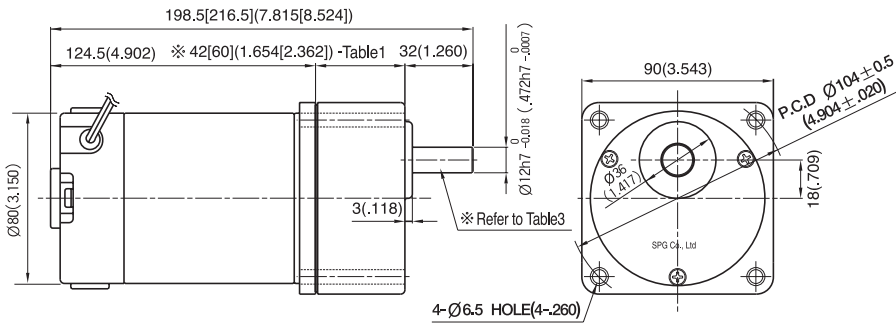
MOTOR SPECIFICATION

Type	Voltage (V)	Output (W)	No Load		Rated Load			Run Duty (Hr)	Weight (kg(oz))	Remarks
			Revolution (RPM)	Current (A)	Revolution (RPM)	Torque (kg·cm(oz·in))	Current (A)			
			S9D40-12□	12	40	3100	MAX.2.5			
S9D40-24□	24	40	3100	MAX.1.5	2800	1.35(18.75)	2.5	2000	1.9(67.0)	
S9D40-90□	90	40	3200	MAX.0.3	3000	1.30(18.06)	0.7	2000	1.9(67.0)	

GEARED MOTOR SPECIFICATION unit: mm(inch)

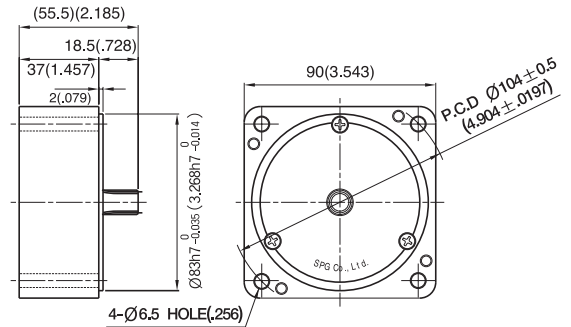
▼ GEARED MOTOR

- * MOTOR MODEL : S9D40-□B□
- * HEAD MODEL : S9□B3□□~S9□B200□□



▼ INTER-DECIMAL GEAR HEAD

- * MODEL : S9GX10B(H,L)



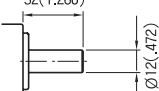
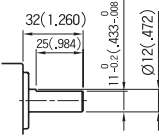
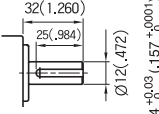
▼ * 30(40)-(Table 1)

GEAR RATIO	SIZE : mm(inch)
S9□B3□□~S9□B18□□	42(1.654)
S9□B20□□~S9□B200□□	60(2.362)

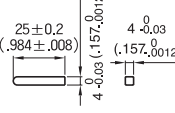
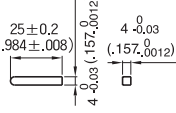
▼ WEIGHT-(Table 2)

PART	WEIGHT : kg(oz)	
MOTOR	1.9(67.0)	
DECIMAL GEAR HEAD	0.60(21.2)	
GEAR HEAD	S9□B3□□ ~S9□B18□□	0.73(25.7)
	S9□B20□□ ~S9□B40□□	1.03(36.3)
	S9□B50□□ ~S9□B200□□	1.13(39.9)

▼ SPEC for output shaft of gearhead-(Table 3)

MODEL	TYPE OF OUTPUT SHAFT
STRAIGHT TYPE S9SB3□□ ~S9SB200□□	
D-CUT TYPE S9DB3□□ ~S9DB200□□	
KEY TYPE S9KB3□□ ~S9KB200□□	

▼ KEY SPEC

GEAR HEAD	MOTOR
	

GEAR HEAD RATED LOAD

1 S9D40-24BH

GEAR RATIO	MODEL																							
	3	3.6	5	6	7.5	9	10	12.5	15	18	20	25	30	36	40	50	60	75	90	100	120	150	180	200
rpm	1033	861	620	517	413	344	310	248	207	172	155	124	103	86	78	62	52	41	34	31	26	21	17	16
kg·cm	3.3	3.9	5.5	6.6	8.2	9.8	10.9	13.7	16.4	19.7	19.7	24.6	29.5	35.47	39.4	44.3	53.1	66.4	79.7	88.6	100.0	100.0	100.0	100.0
N·m (oz.in)	0.321 (45.83)	0.386 (54.17)	0.536 (76.39)	0.643 (91.67)	0.804 (113.89)	0.964 (136.11)	1.072 (151.39)	1.340 (190.28)	1.607 (227.78)	1.929 (273.61)	1.929 (273.61)	2.411 (341.67)	2.893 (409.72)	3.472 (492.64)	3.858 (547.22)	4.340 (615.28)	5.208 (737.50)	6.510 (922.22)	7.812 (1106.94)	8.680 (1230.56)	9.800 (1388.89)	9.800 (1388.89)	9.800 (1388.89)	9.800 (1388.89)

- The code in □ of gearhead model is for gear ratio
- It is the permissible torque of the assembled motor and gearhead
The permissible torque of the assembled with motor and inter-decimal gearhead is 100kg·cm.
- □ color indicates that the output shaft of the geared motor rotates in the same direction as the output shaft of the motor.
Others indicate rotation in the opposite direction.
- Rotational speed based on no-load speed divided by gear ratio.
The actual rotation speed is less 2-20% than the displayed value according to the load
- () is for making 'L' type or 'H'.